



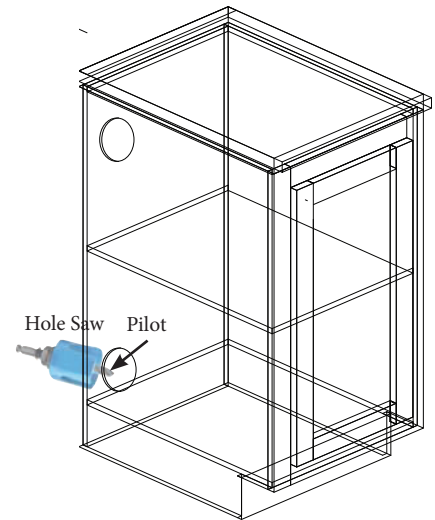
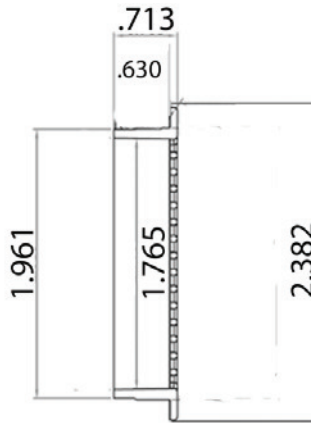
Bainbridge Manufacturing, Inc.

Quality plastic hardware for cabinets, closets and furniture

Cabinet Master® Plastic Hardware

AT BAINBRIDGE, WE MAKE PLASTIC HARDWARE!

4501 Round Vent Grill



Many standard colors to enhance your project.

Vents are an ideal way to reduce heat and/or promote air movement. Use in cabinets, room dividers or virtually anywhere air movement is needed.

Two vents should be used to reduce heat in the cabinet. The upper vent will help heat escape while cooler air will enter through the lower vent. Vents can be placed on the side or back of the cabinet where air can flow.

Use a 2" hole saw to drill through the cabinet. Be sure to place vent so the hole is not drilled into a shelf or back component. Hole saws are available at any hardware store or home center

Note: To help avoid chipping drill from the outside of the cabinet until the pilot bit enters the cabinet. Then drill from the inside of the cabinet to finish the hole.

Use carpenter's glue or clear silicone to secure.