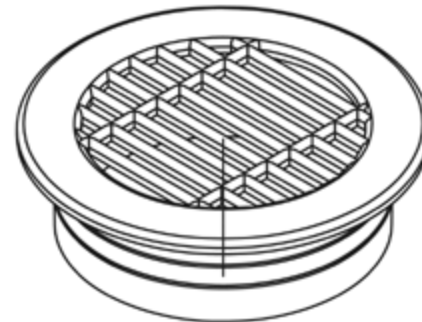
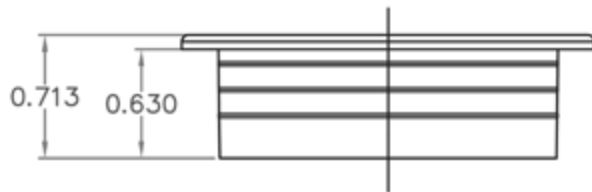


SECTION C-C



DRAWING NO:		PART NO: 4501		TYPE:	SHEET: 1 of 1	REVISION:	DATE: 23/Apr/2010
PART DESCRIPTION: Vent Grill (Round) 2"				PART CATEGORY:		SCALE: 1:1	
COMPANY Bainbridge Manufacturing, Inc. 237 W. 3rd Street, Waterville, WA 98858 509-745-9555 FAX - 509-745-9666		UNLESS OTHERWISE SPECIFIED ALL DIMENSIONS ARE IN INCHES		PART MATERIAL:		DRAWN BY: AT	
		UNLESS OTHERWISE SPECIFIED TOLERANCE IS $\pm .005$		PART WEIGHT:		APPROVED BY:	
				SURFACE FINISH:		WWW.BAINBRIDGEMFG.COM	