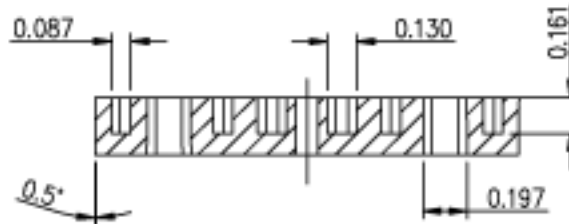
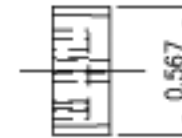
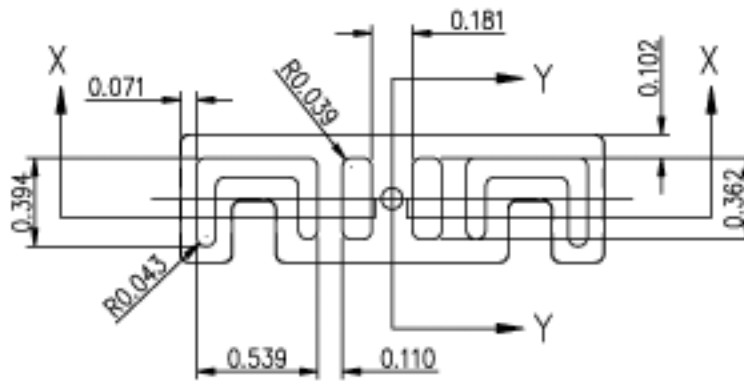


SECTION Y-Y



SECTION X-X

SYM	DESCRIPTION	DATE
<b>BAINBRIDGE MANUFACTURING INC.</b> 237W, 3rd STREET, WATERVILLE, WA.98858 509-745-9555 FAX - 509-745 9666		
SCALE - 1:1	APPROVED BY	DRAWN BY
DATE - 20/02/07	YBK	VENKAT
PART DESCRIPTION		
-		
PART NUMBER 1990		CUSTOMER DRAWING

MATERIAL	TOLERANCES VARY AND ARE NOT CRITICAL
-	