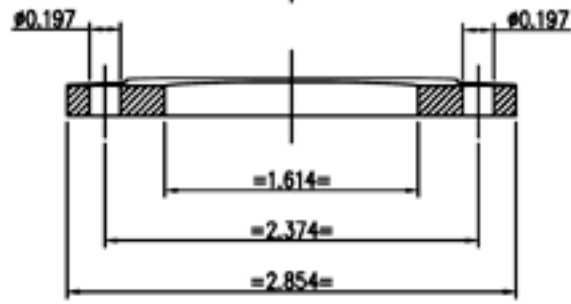
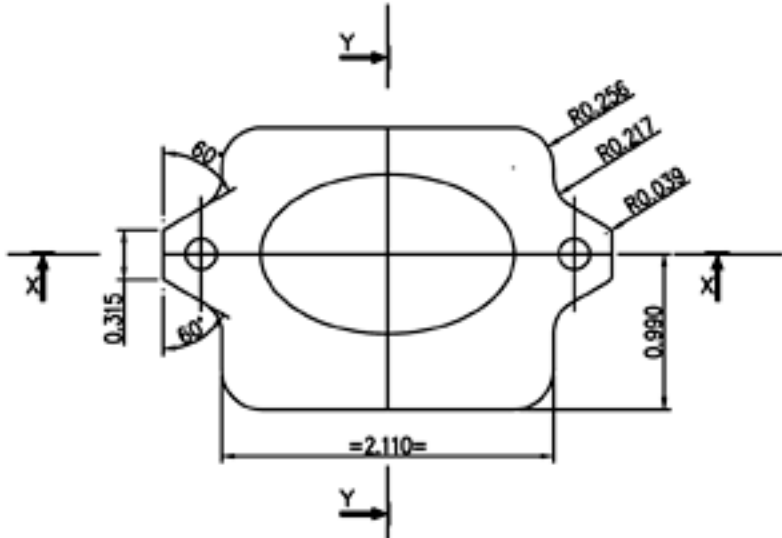


SECTION Y-Y



SECTION X-X

SYM	DESCRIPTION	DATE
BAINBRIDGE MANUFACTURING INC. 237W, 3rd STREET, WATERVILLE, WA.98858 509-745-9555 FAX - 509-745 9666		
SCALE - 1:1	APPROVED BY	DRAWN BY
DATE - 31/10/06	YBK	VENKAT
PART DESCRIPTION		
PART NUMBER 19005		CUSTOMER DRAWING

www.bainbridgemfg.com

MATERIAL	TOLERANCES VARY AND ARE NOT CRITICAL
----------	--------------------------------------