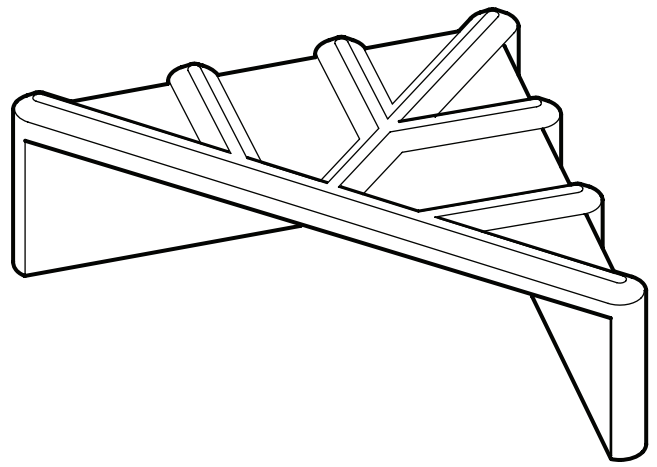
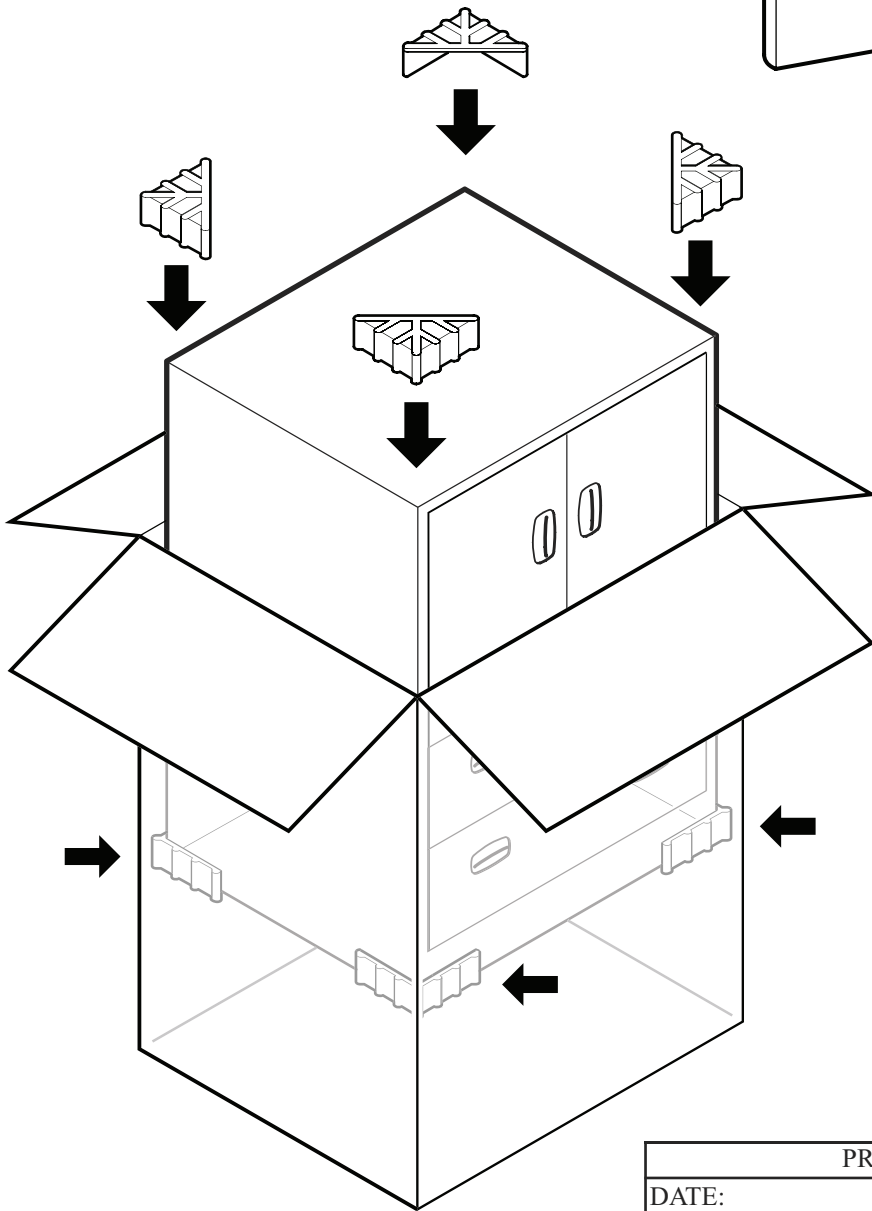


CORNER PROTECTOR

Place four protectors on bottom corners of cabinet and four protectors on top cabinet corners before sealing box.



PRODUCT INSTALLATION DRAWING	
DATE:	PART NUMBER: #
DESCRIPTION:	
MATERIAL:	
WEIGHT:	
DRAWING TITLE: (SS)-#	DRAWING NUMBER: #
DRAWN BY:	REVISION NUMBER: #
APPROVAL DATE:	APPROVED BY:
BAINBRIDGE MANUFACTURING, INC. PLASTIC HARDWARE FOR CABINETS, CLOSETS & FURNITURE 237 W. 3RD STREET - PO BOX 487 - WATERVILLE, WA 98858 PHONE: (800) 255-4702 - FAX: (509) 745-9666 INFO@BAINBRIDGEMFG.COM WWW.BAINBRIDGEMFG.COM © 2006 Bainbridge Manufacturing, Inc.	