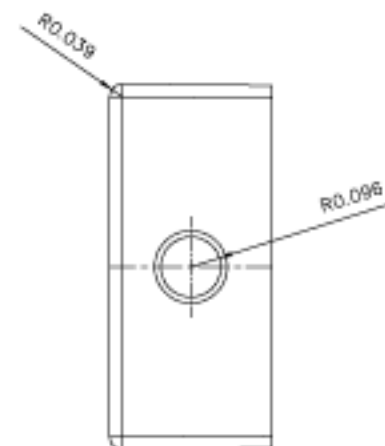
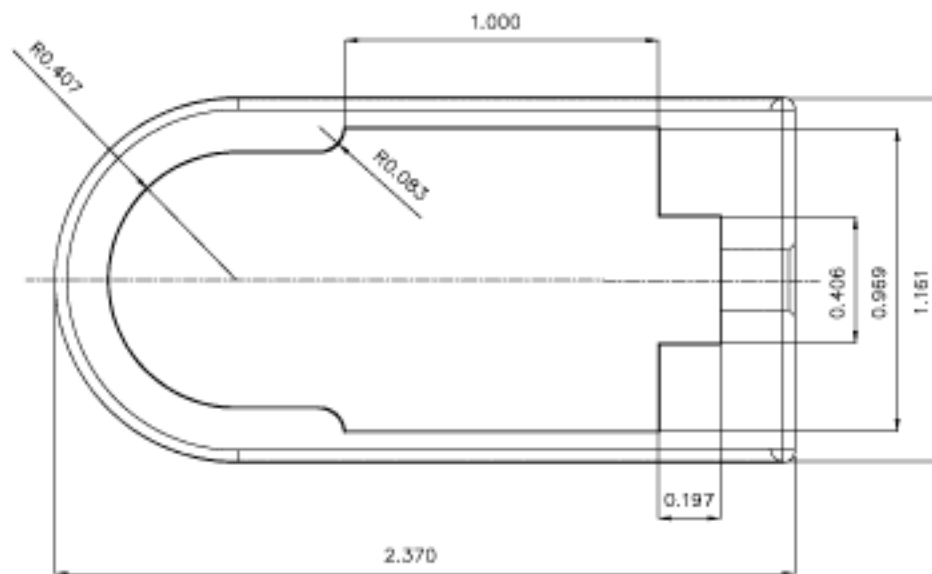


SECTION X-X



SYM	DESCRIPTION	DATE
BAINBRIDGE MANUFACTURING INC. 237W, 3rd STREET, WATERVILLE, WA.98858 509-745-9555 FAX - 509-745-9666		
SCALE -	1:1	APPROVED BY
DATE -	28-07-08	ANJELU
PART DESCRIPTION		DRAWN BY
Under Mount Pole Socket		AYUS
PART NUMBER		CUSTOMER DRAWING
#1322		

MATERIAL	TOLERANCES
Polypropylene	VARY AND ARE
	NOT CRITICAL