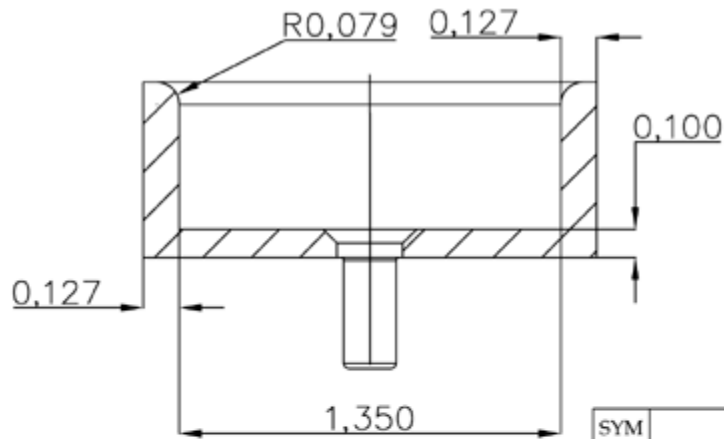
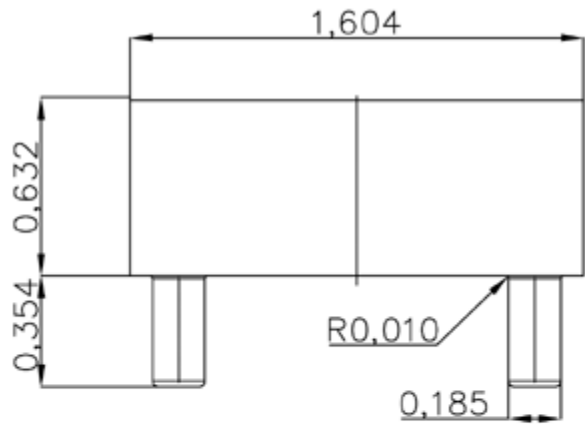
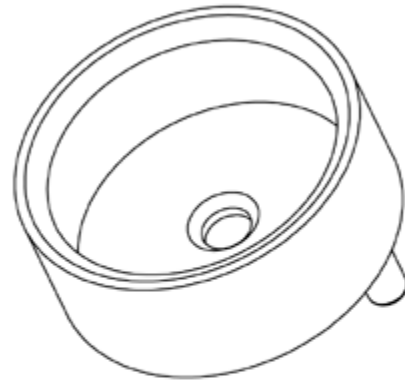
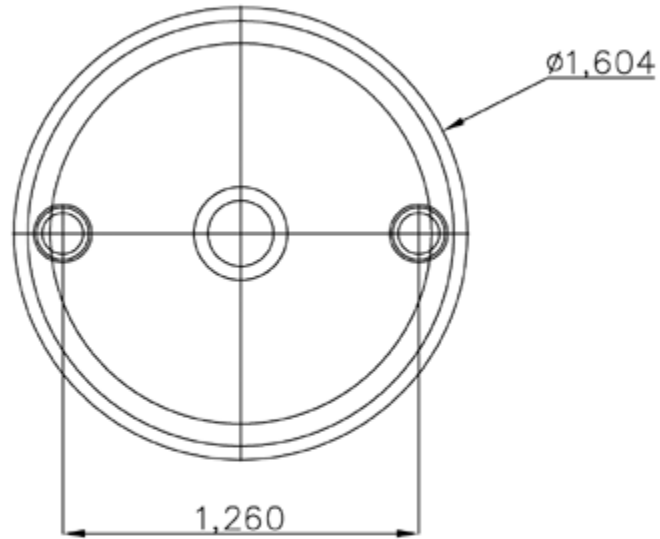


SYM	DESCRIPTION	DATE
BAINBRIDGE MANUFACTURING INC. 237W, 3rd STREET, WATERVILLE, WA.98858 509-745-9555 FAX - 509-745 9666		
SCALE -	1:1	APPROVED BY
DATE -	15/01/09	ANJNELU
		DRAWN BY
		AYUS
PART DESCRIPTION		
-		
PART NUMBER		CUSTOMER DRAWING
#1320 half		

MATERIAL	TOLERANCES VARY AND ARE NOT CRITICAL
-	



MATERIAL	TOLERANCES VARY AND ARE NOT CRITICAL
-	

SYM	DESCRIPTION	DATE
BAINBRIDGE MANUFACTURING INC. 237W, 3rd STREET, WATERVILLE, WA.98858 509-745-9555 FAX - 509-745 9666		
SCALE -	1:1	APPROVED BY
DATE -	15/01/09	ANJNELU
		DRAWN BY
		AYUS
PART DESCRIPTION		
PART NUMBER		CUSTOMER DRAWING
#1320 whole		